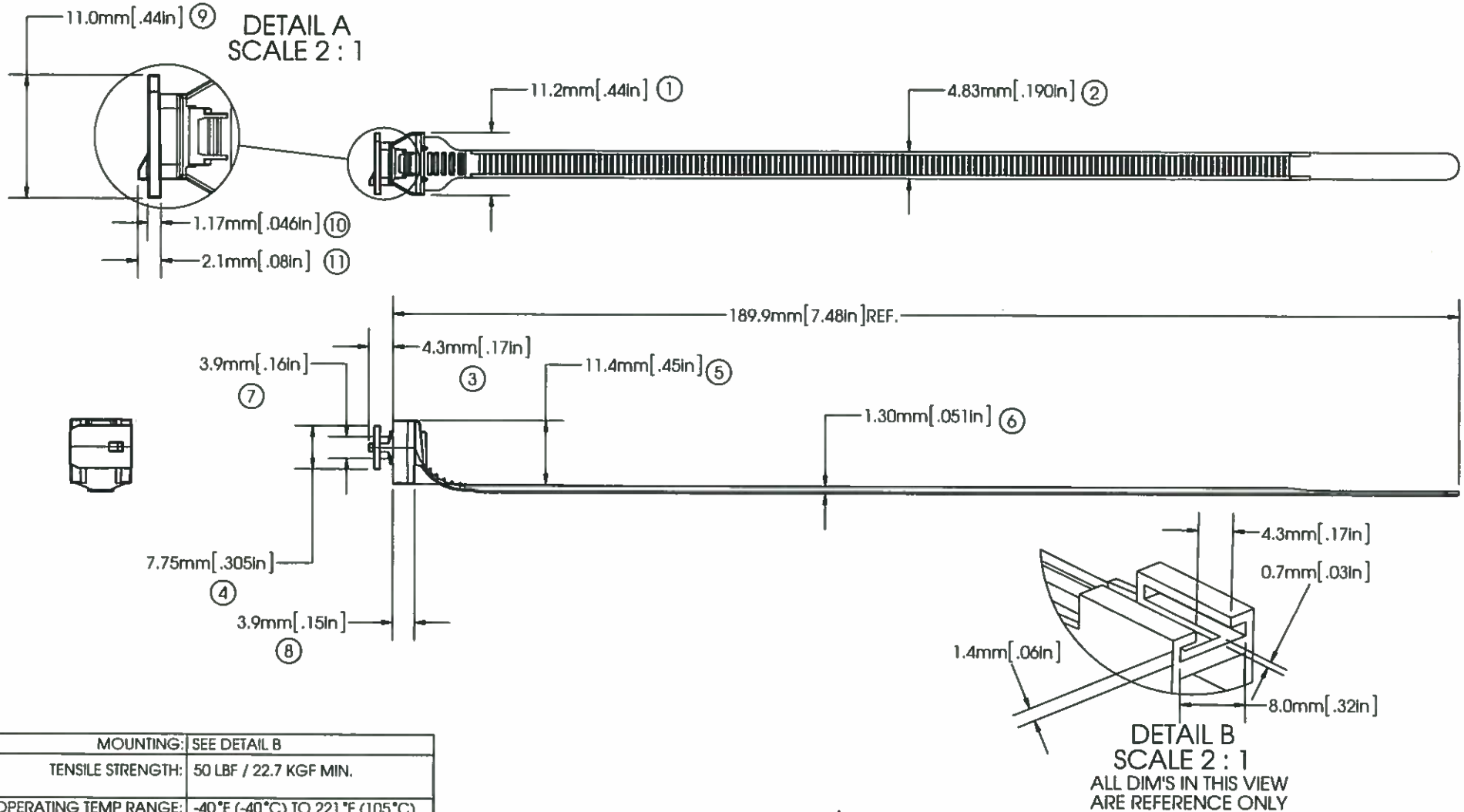


AVERY DENNISON MARKETING SPECIFICATION

HISTORY

REV.	DATE	DESCRIPTION
A	04.04.06	RELEASED
B	03.02.15	UPDATED TO NEW FORMAT AND CORRECTED TOLERANCING TO BE MORE STANDARD

THE SUBJECT MATTER DISCLOSED HEREIN EMBODIES PROPRIETARY INFORMATION WHICH IS THE CONFIDENTIAL PROPERTY OF THE AVERY DENNISON CO. NONE OF WHICH SHALL BE COPIED, REPRODUCED, DISCLOSED TO OTHERS, PUBLISHED OR USED IN WHOLE OR IN PART, FOR ANY PURPOSE OTHER THAN THAT FOR WHICH IT IS BEING MADE AVAILABLE WITHOUT THE EXPRESS ADVANCE WRITTEN PERMISSION OF A DULY AUTHORIZED AGENT OF THE COMPANY. THIS DOCUMENT IS THE PROPERTY OF THE AVERY DENNISON CO. AND IS TO BE RETURNED TO THE COMPANY ON DEMAND.



MOUNTING:	SEE DETAIL B
TENSILE STRENGTH:	50 LBF / 22.7 KGF MIN.
OPERATING TEMP RANGE:	-40°F (-40°C) TO 221°F (105°C) CONTINUOUS
WEIGHT:	1.5 GRAMS EACH
BUNDLE DIAMETER:	∅ 1.6mm TO ∅ 44.5mm
INSTALLATION TOOL:	12001 - HAND TOOL 12500 - PNEUMATIC TOOL
TOOL TENSION SETTING:	6 - 8
PACKAGING:	1000/BAG, 5 BAGS/MASTER

APPROVALS: ENG. APPR. *QOM 3/2/15*
 Q.A. APPR. *Cartho de Jallancost 3/2/15*

SPECIFIED TOLERANCES
 INCHES (MM)
 .XX ± .03 .X ± .7
 .XXX ± .010 .XX ± .25
 ANGULAR: ± 2°

MATERIAL **NYLON 6/6,
 IMPACT MODIFIED,
 HEAT STABILIZED**
 COLOR **BLACK**



FASTENER DIVISION
 FITCHBURG, MA 01420 U.S.A.
 TEL. 1-800-225-5913
 FAX. 978-353-8157

DESCRIPTION T-SLOT CONNECTOR TIE	
STOCK NO. 20101-0	REV. B